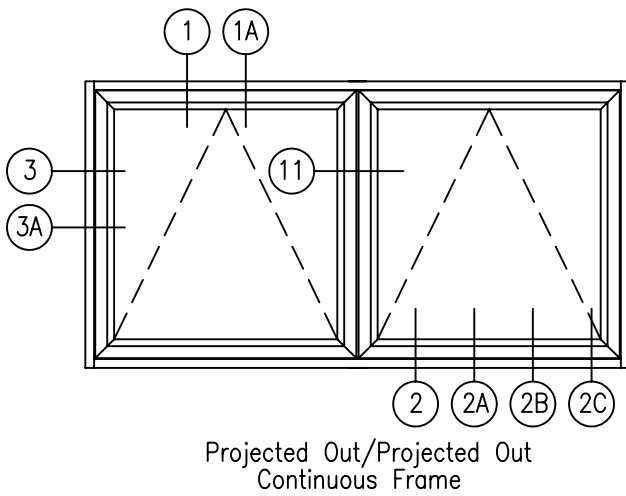
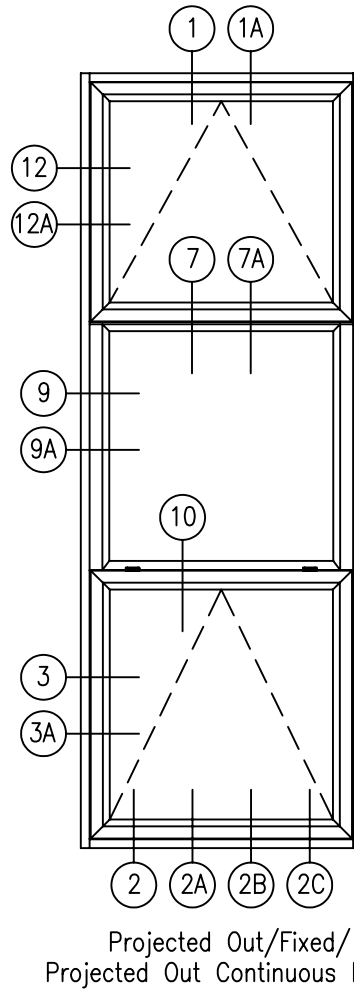
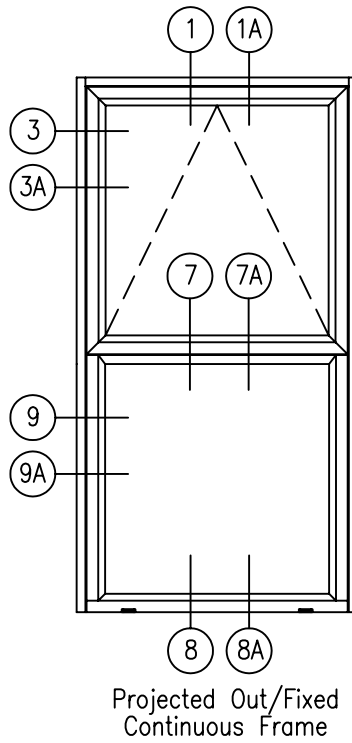
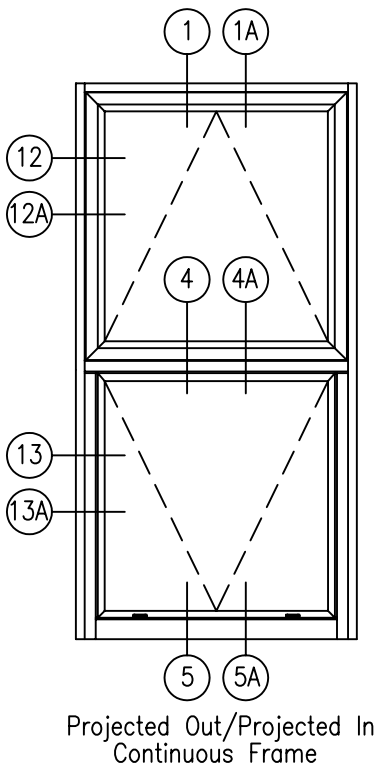
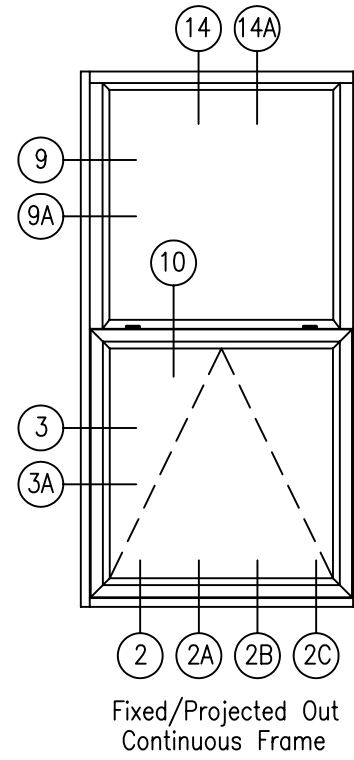
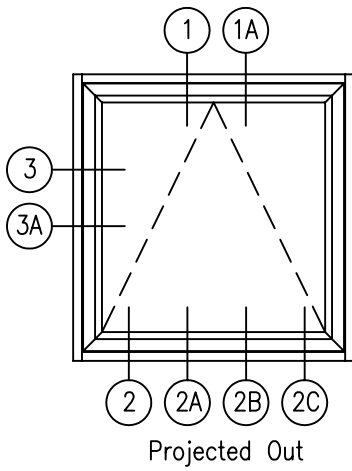


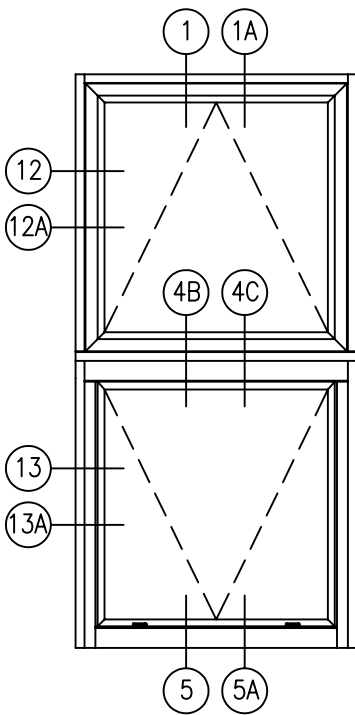
Champion Series 5100

SCALE: NONE

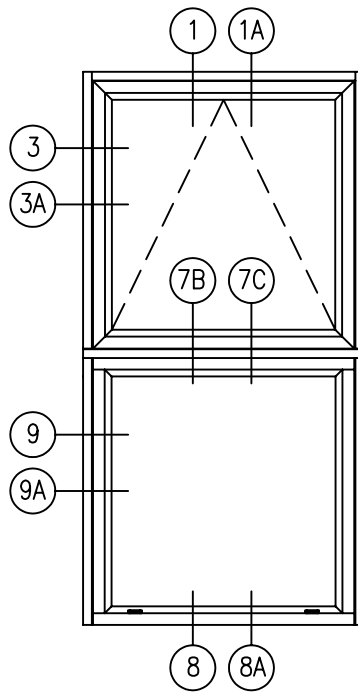


All Elevations are viewed outside looking in.

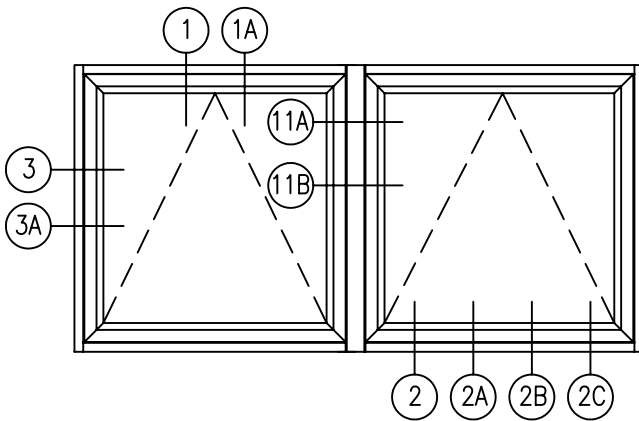
SCALE: HALF



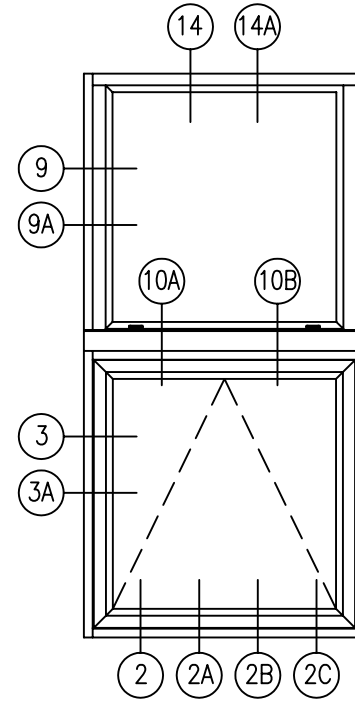
Projected Out/Projected In



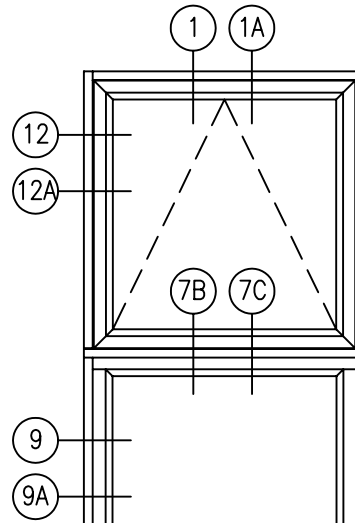
Projected Out/Fixed



Projected Out/Projected Out

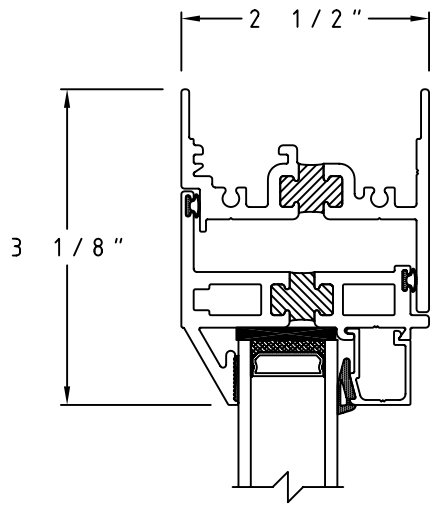


Fixed/Projected Out

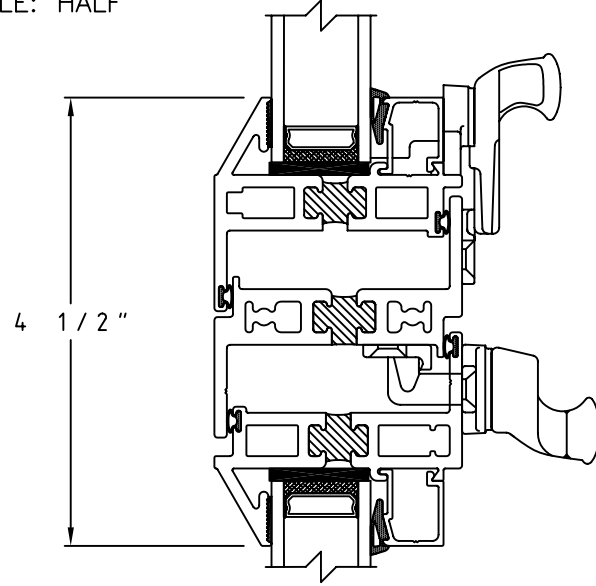


Projected Out/Fixed/
Projected Out

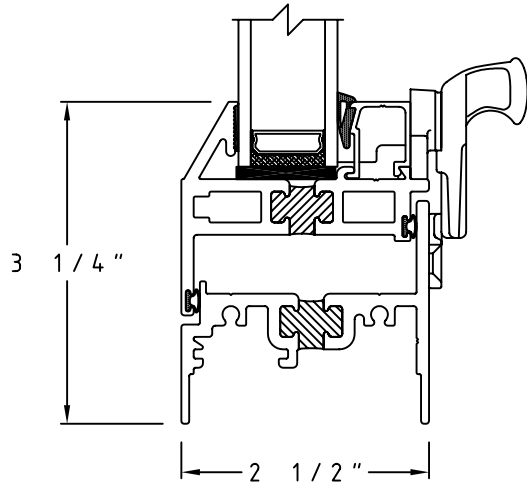
SCALE: HALF



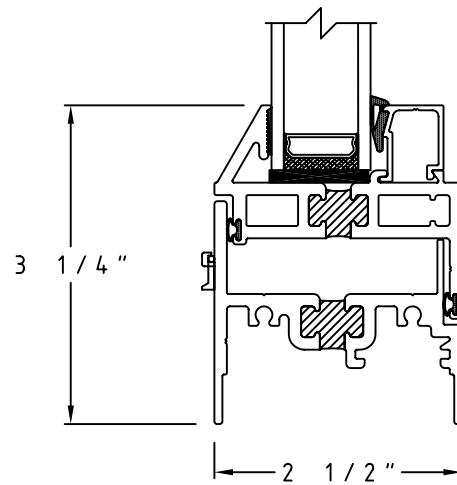
① Head Detail



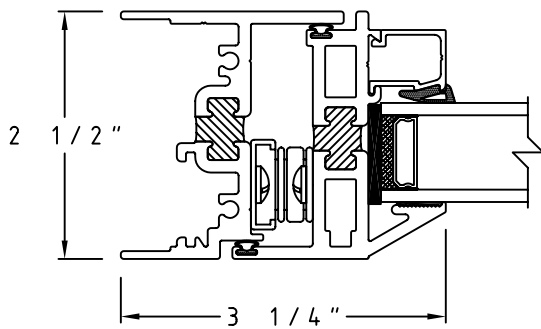
④ Projected Out/Projected In Mullion Detail



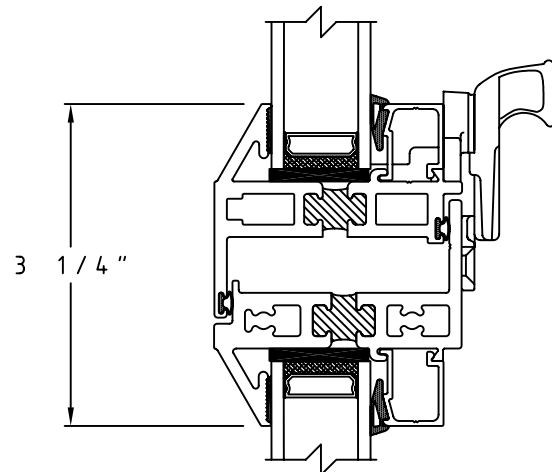
② Sill Detail



⑤ Projected In Sill Detail

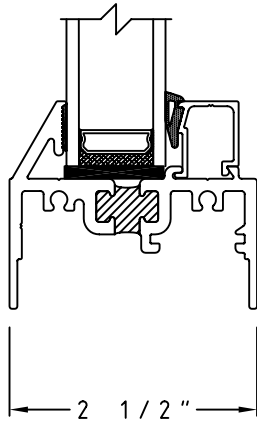


③ Jamb Detail

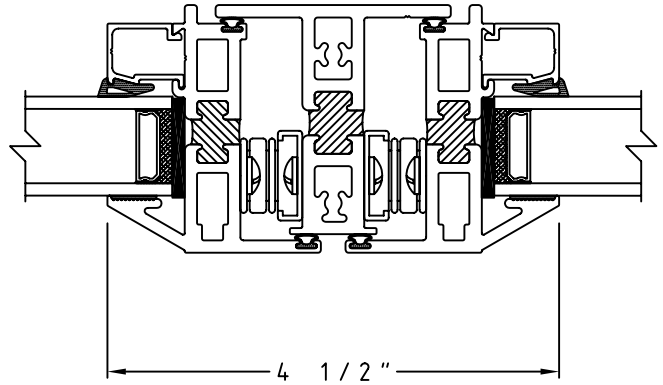


⑦ Projected Out/Fixed Detail

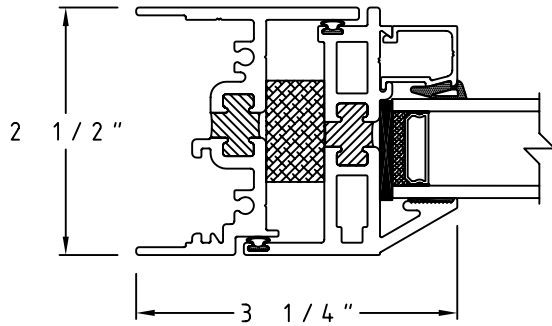
SCALE: HALF



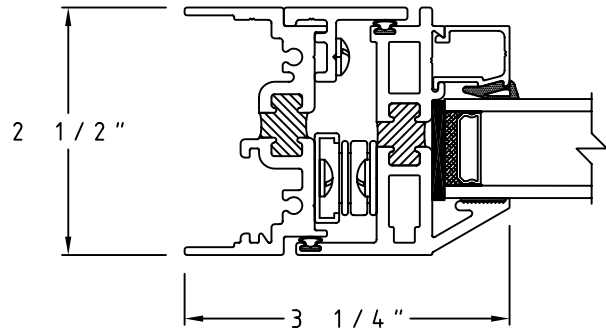
⑧ Fixed Sill Detail



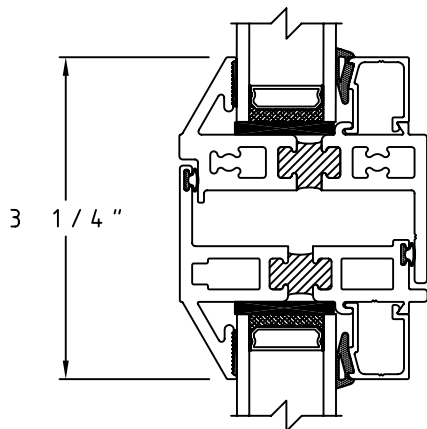
⑪ Projected Out/Projected Out Mullion Detail



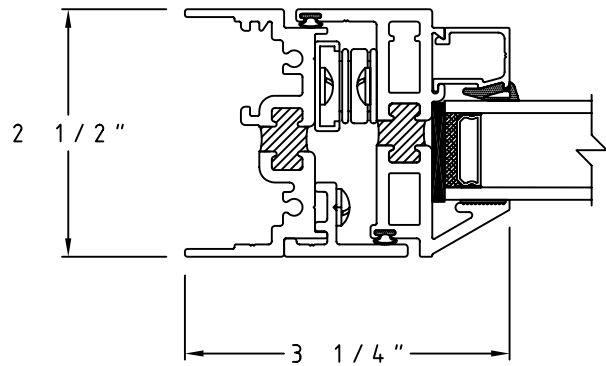
⑨ Fixed Jamb Detail



⑫ Projected Out Jamb Detail

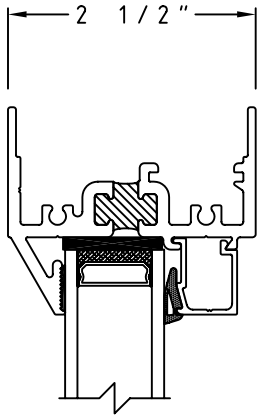


⑩ Fixed/Projected Out Mullion Detail

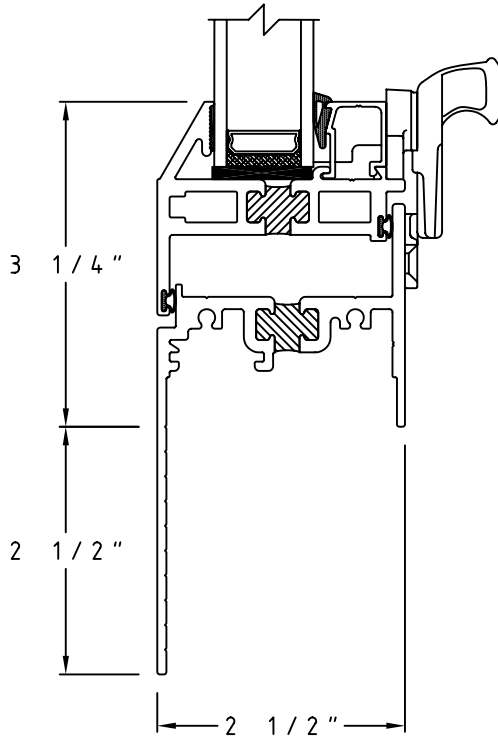


⑬ Projected In Jamb Detail

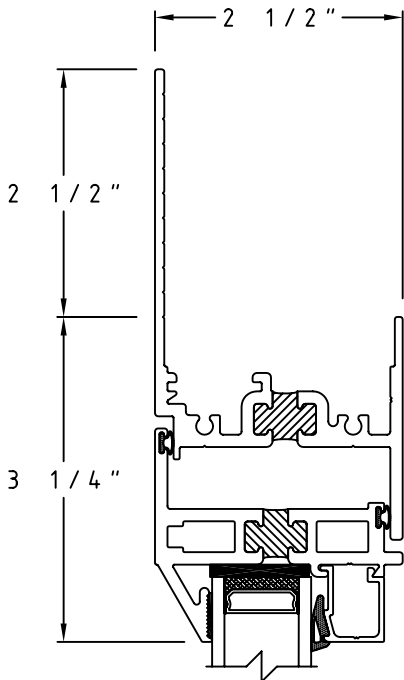
SCALE: HALF



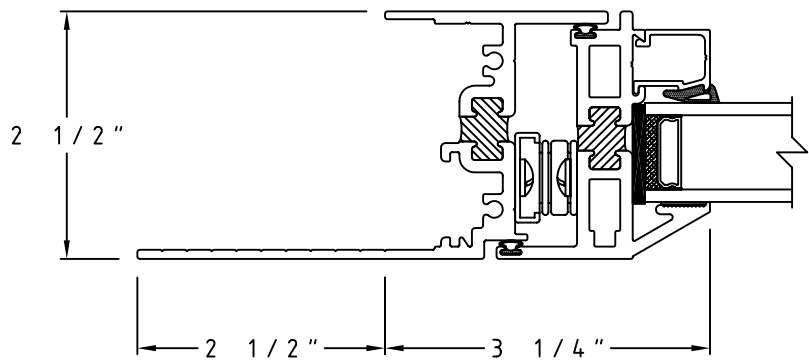
⑭ Fixed Head Detail



②A 2 1/2" Flange Sill Detail

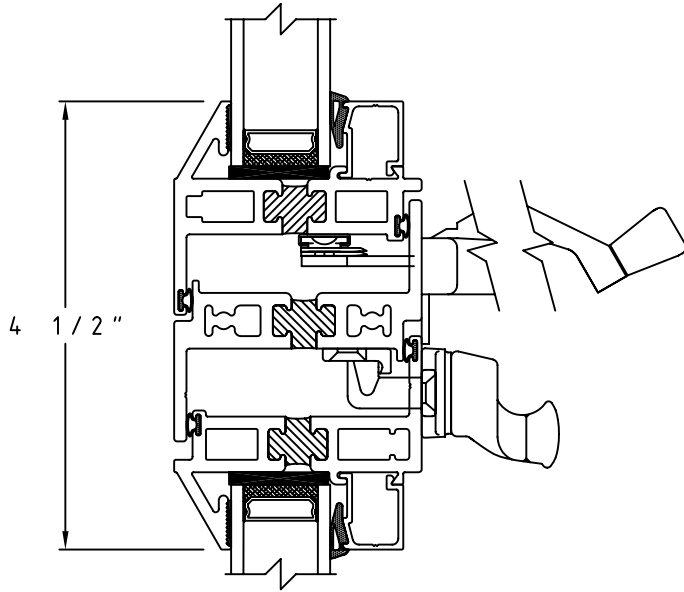


①A 2 1/2" Flange Head Detail

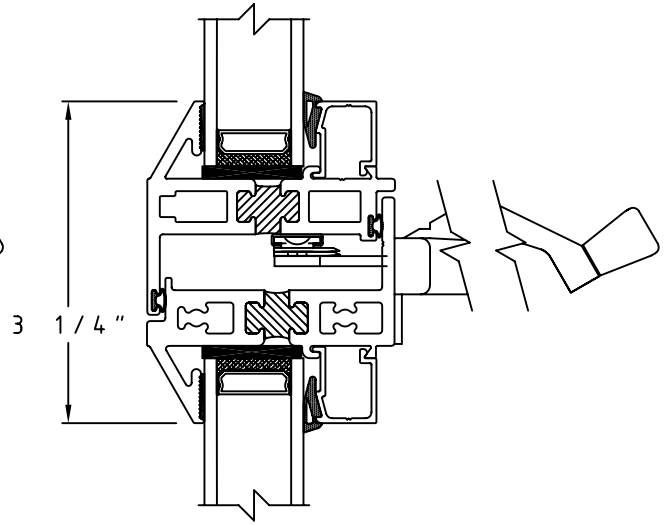


③A 2 1/2" Flange Jamb Detail

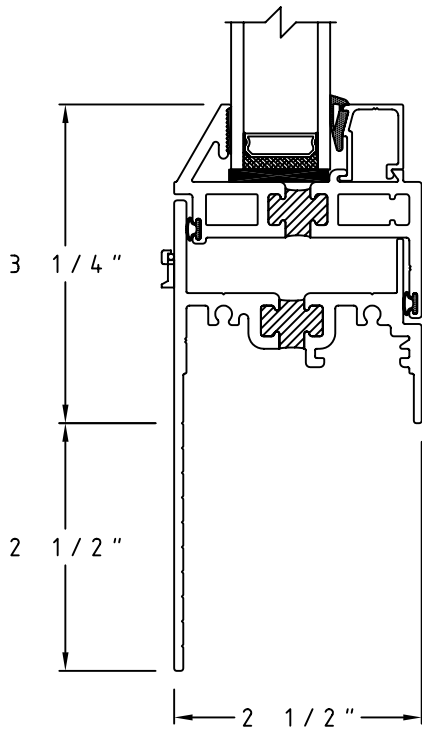
SCALE: HALF



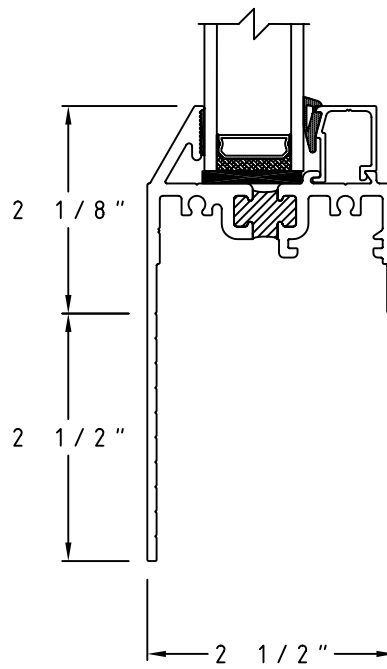
4A Projected Out/Projected In Scissor Crank Detail



7A Projected Out/Fixed with Scissor Crank Detail

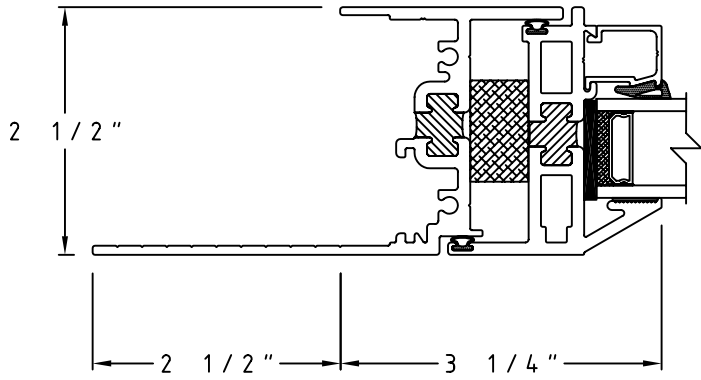


5A 2 1/2" Flange Sill Projected In Detail

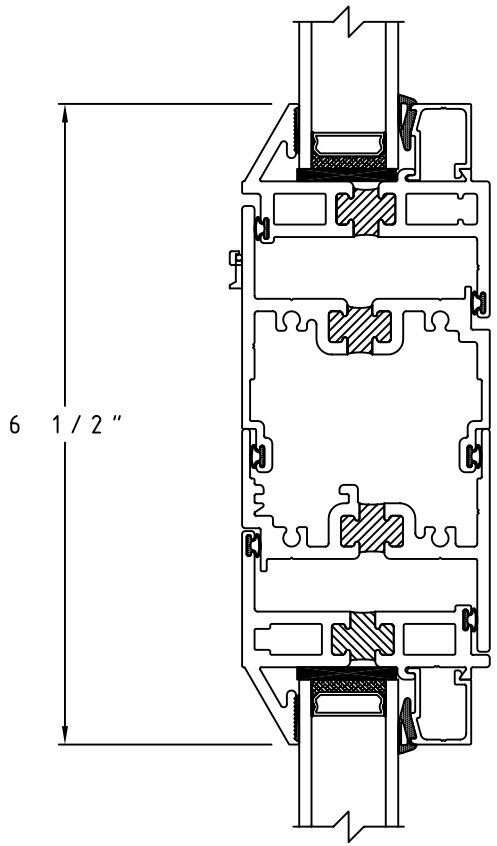


8A 2 1/2" Flange Fixed Sill Detail

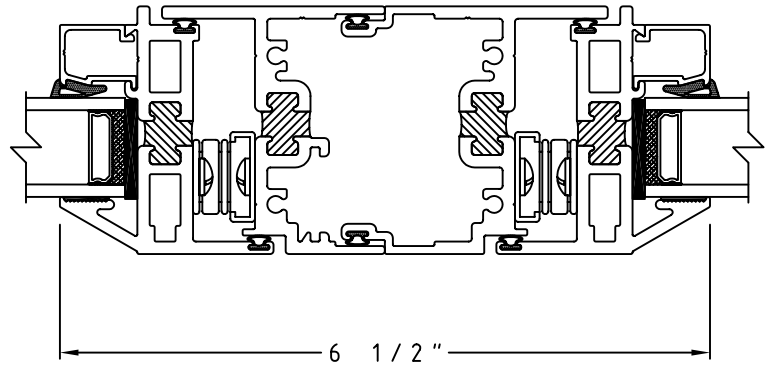
SCALE: HALF



9A 2 1/2" Flange Fixed Jamb Detail

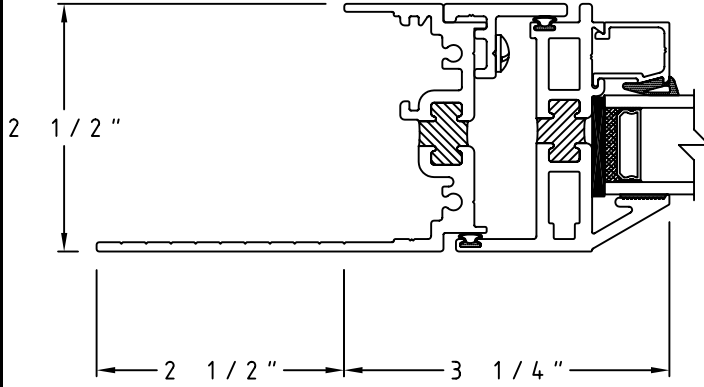


10A Fixed/Projected Out with Male Frame Mullion

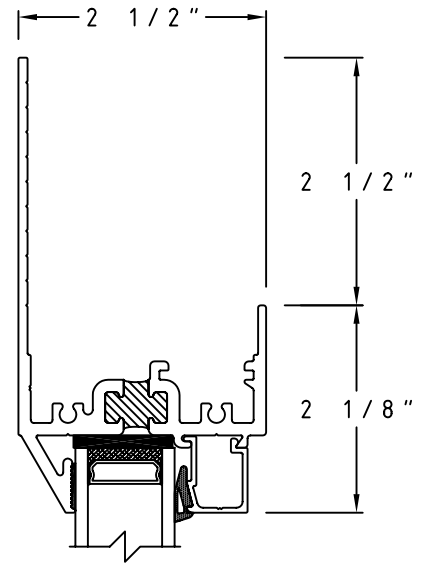


11A Projected Out/Projected Out with Male Frame Mullion

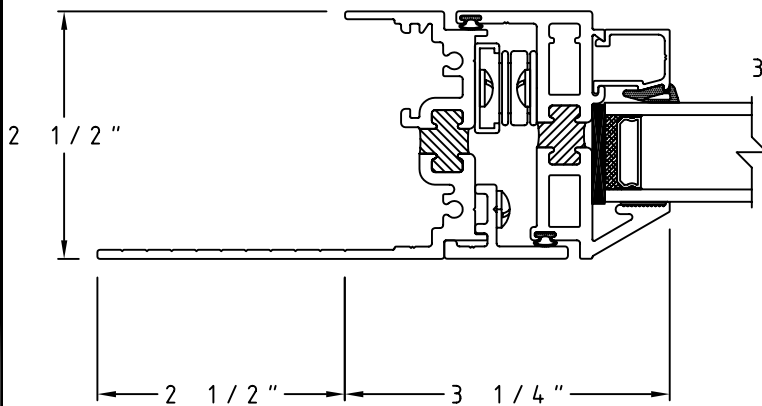
SCALE: HALF



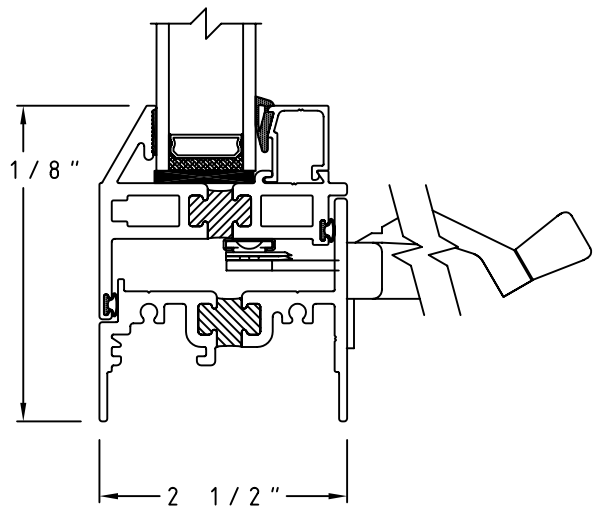
12A 2 1/2" Projected Out Flange Jamb Detail



14A 2 1/2" Fixed Flange Head

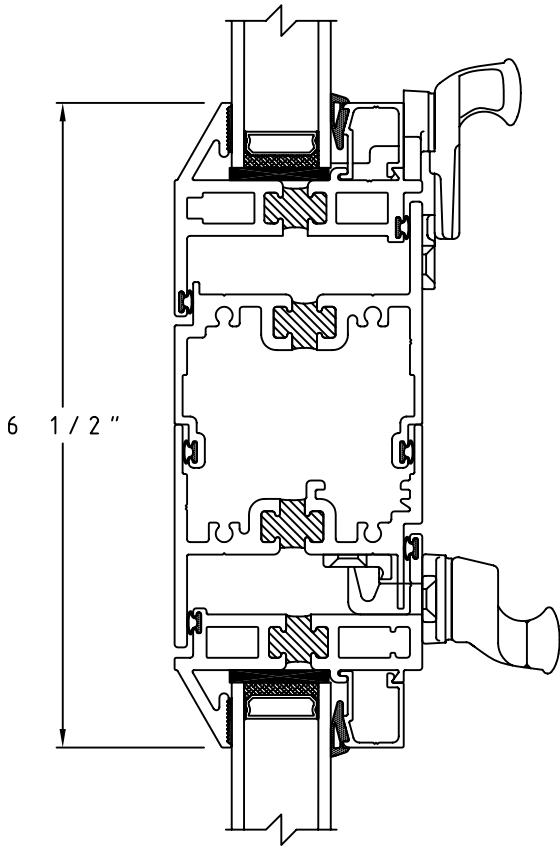


13A 2 1/2" Projected In Flange Jamb Detail

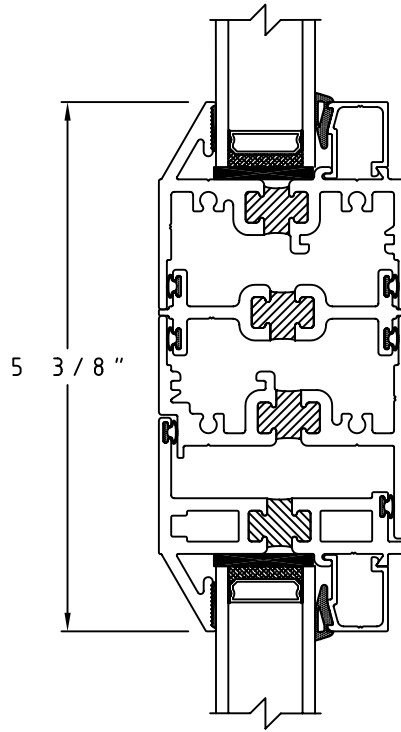


2B Sill with Scissor Crank Detail

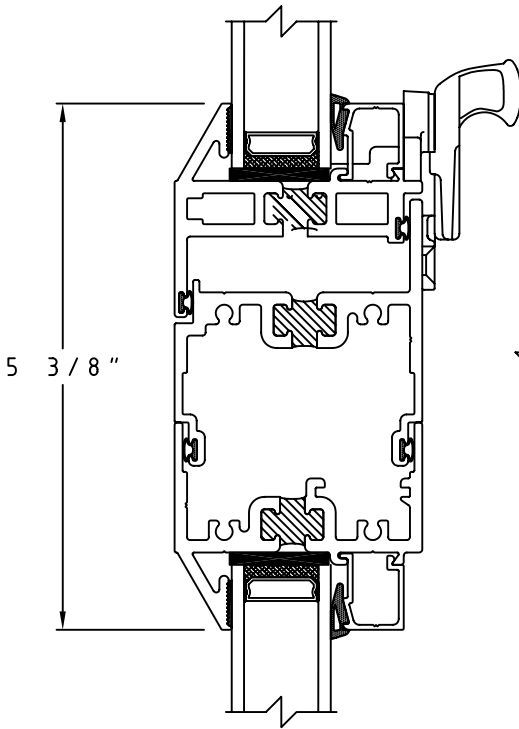
SCALE: HALF



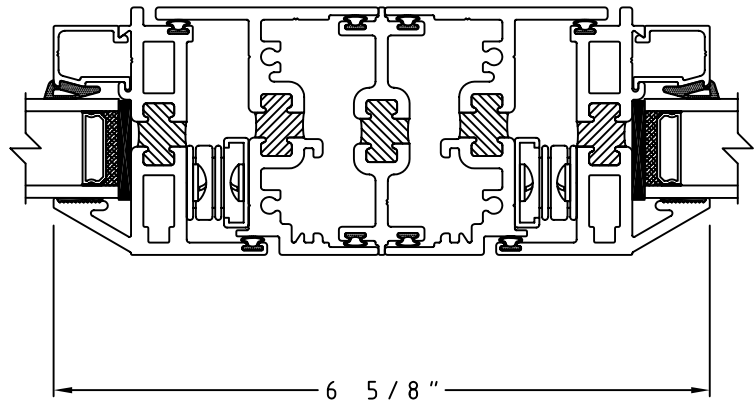
④B Projected Out/Projected In with Male Frame Mullion



⑩B Fixed/Projected Out with H Mullion



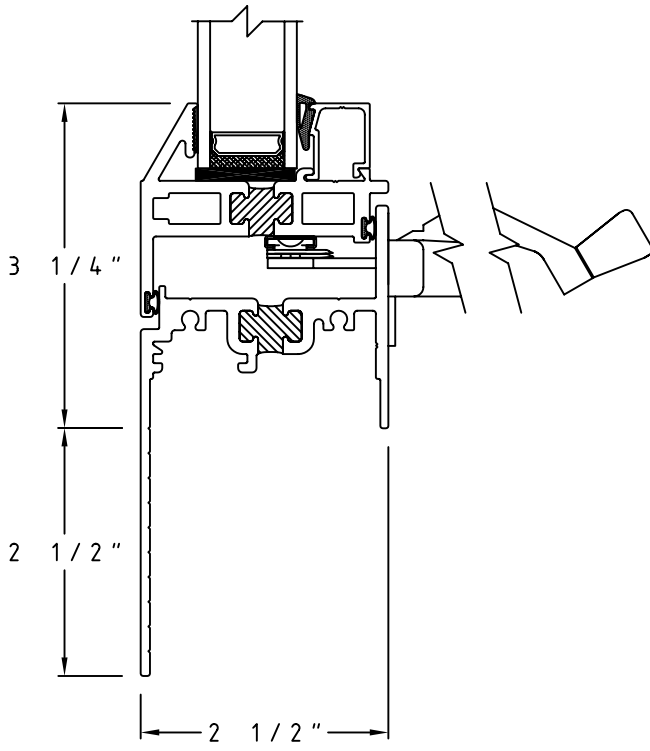
⑦B Projected Out/Fixed with Male Frame Mullion



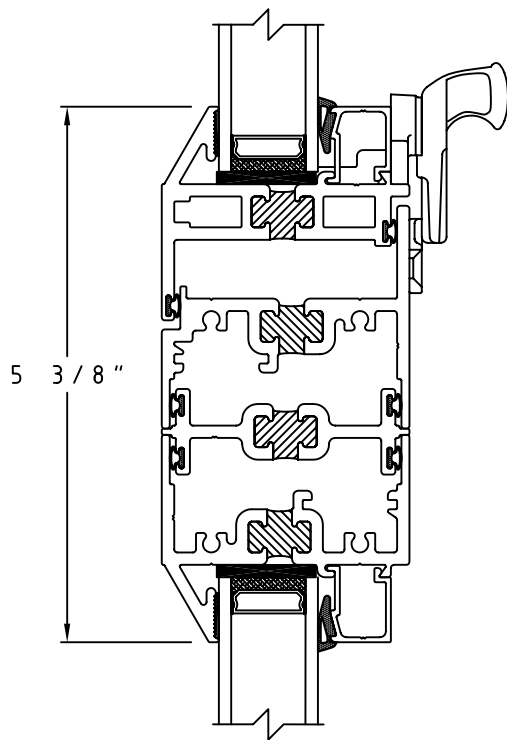
⑪B Projected Out/Projected Out with H Mullion

Champion Series 5100

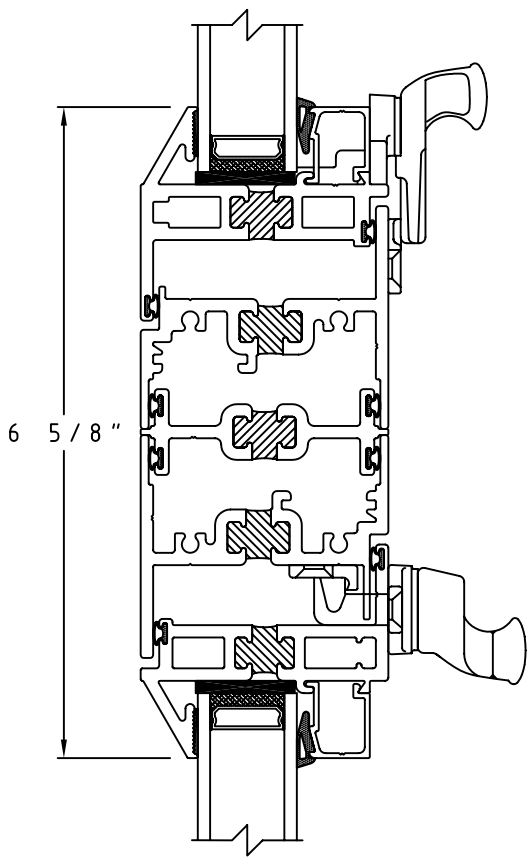
SCALE: HALF



②C 2 1/2" Flange Sill with Scissor Crank Detail



⑦C Projected Out/Fixed with H Mullion



④C Projected Out/Projected In with H Mullion